

FIRE ALARM SYSTEM NOTES

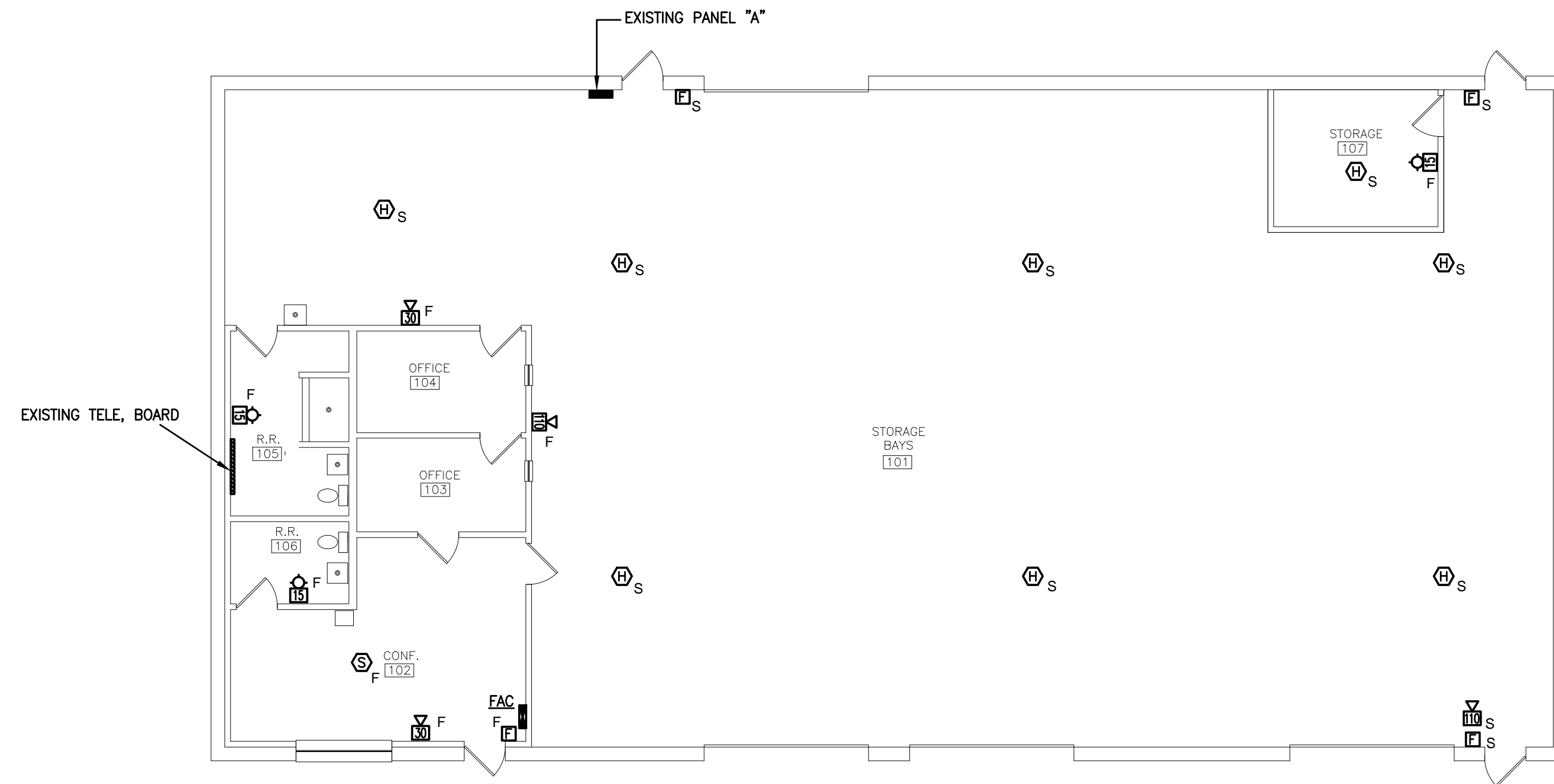
- ALL FIRE ALARM SYSTEM WIRING SHALL BE RUN ABOVE GRADE IN WALLS AND ABOVE CEILING IN METAL RACEWAYS. RACEWAYS SHALL BE RUN CONCEALED WHERE PRACTICAL. FIRE ALARM WIRING MAY NOT BE RUN UNDERGROUND OR IN SLAB UNLESS SPECIFICALLY NOTED OTHERWISE ON THE DRAWINGS.
 - VERIFY WIRING REQUIREMENTS WITH EQUIPMENT MFR PRIOR TO ROUGH-IN AND INSTALL ACCORDINGLY. NOTIFICATION APPLIANCE CIRCUITS SHALL BE RUN AS REQ'D TO PROVIDE A 3-PULSE TEMPORAL AUDIBLE SIGNAL WITHOUT COMPROMISING THE OPERATION OF THE STROBES.
 - PROVIDE SYNCHRONIZATION OF ALL STROBE LIGHTS.
 - FIRE ALARM SYSTEM TO BE CLASS B SUPERVISED SYSTEM (STYLE B INITIATING DEVICE CIRCUITS, STYLE 4 SIGNALING LINE CIRCUITS, CLASS B NOTIFICATION APPLIANCE CIRCUITS). FURNISH & INSTALL END-OF-LINE RESISTORS WHERE REQ'D.
 - EQUIPMENT SUPPLIER SHALL SUBMIT SHOP DRAWINGS INDICATING EXACT ROUTING OF RACEWAYS AND NUMBER AND SIZE OF CONDUCTORS IN RACEWAYS FOR THE FIRE ALARM SYSTEM. THE ELECTRICAL CONTRACTOR SHALL USE THE REVIEWED DRAWING FOR ROUGH-IN OF FIRE ALARM SYSTEM RACEWAYS AND OUTLET BOXES.
 - SMOKE DETECTORS SHALL BE LOCATED AS NEAR THE CENTER OF THE ROOM AS PRACTICAL. DO NOT LOCATE ANY DETECTOR WITHIN 3-FT. OF AN HVAC SUPPLY GRILLE. PROVIDE AUXILIARY CONTACT ON SMOKE DETECTORS LOCATED IN CORRIDORS AT SMOKE DOORS. WIRE MAGNETIC DOOR HOLDERS THRU AUXILIARY CONTACT TO RELEASE DOOR WHEN THOSE DETECTORS ARE ACTUATED.
 - LOCATE MANUAL PULL STATIONS WITHIN 5'-0" OF THE EXIT DOOR PER NFPA AND IBC REQUIREMENTS. PROVIDE ANY SPECIAL ADAPTER PLATES OR COVER PLATES REQ'D TO MOUNT PULL STATIONS IN DOOR MULLIONS WHERE APPLICABLE.
 - HORN/STROBES IN ROOMS AND OFFICES MUST BE LOCATED TO COMPLY WITH TABLE 7.5.4.3.1(a) & TABLE 7.5.4.3.1(b) OF NFPA 72. DO NOT ADJUST LOCATIONS OF HORN/STROBES WITHOUT CONSULTING WITH THE ENGINEER AND OBTAINING WRITTEN PERMISSION. ALL HORNS IN CORRIDORS AND IN SPACES LARGER THAN 2,000SF SHALL BE SET TO "HIGH". ALL OTHER HORNS SHALL BE SET TO "LOW".
 - FIELD VERIFY LOCATION OF FIRE ALARM PANEL "FAC" WITH OWNER AND AUTHORITY HAVING JURISDICTION PRIOR TO ROUGH-IN.
 - IN ADDITION TO SMOKE DETECTORS SHOWN, CONTRACTOR WILL BE REQUIRED TO FURNISH & INSTALL SMOKE DETECTORS IN ALL ROOMS WITH FIRE ALARM POWER SUPPLIES AND POWER BOOSTERS. IN ADDITION TO 120V CIRCUITS SHOWN, CONTRACTOR SHALL BE REQUIRED TO FURNISH & INSTALL ANY 120V CIRCUITS NECESSARY TO PROVIDE A COMPLETE AND OPERABLE FIRE ALARM SYSTEM.
 - ADDITIONAL FIRE ALARM DEVICES: THE ELECTRICAL CONTRACTOR AND FIRE ALARM SYSTEM INSTALLER SHALL FURNISH AND INSTALL ADDITIONAL FIRE ALARM DEVICES AT THE DISCRETION OF THE ARCHITECT/ENGINEER AND/OR THE AUTHORITY HAVING JURISDICTION IN THE FOLLOWING QUANTITIES:
 - (1) HORN/STROBE LIGHTS
 - (1) CEILING MOUNTED SMOKE OR HEAT DETECTORS
- INCLUDE COMPLETE COSTS TO FURNISH AND INSTALL THE ABOVE ADDITIONAL DEVICES IN BASE BID, INCLUDING ALL CONDUIT, OUTLET BOXES, 120V POWER, WIRING, AND SYSTEM PROGRAMMING. ANY DEVICES NOT USED SHALL BE TURNED OVER TO THE OWNER AS SPARE DEVICES AT THE END OF THE PROJECT.

FIRE ALARM SYMBOLS

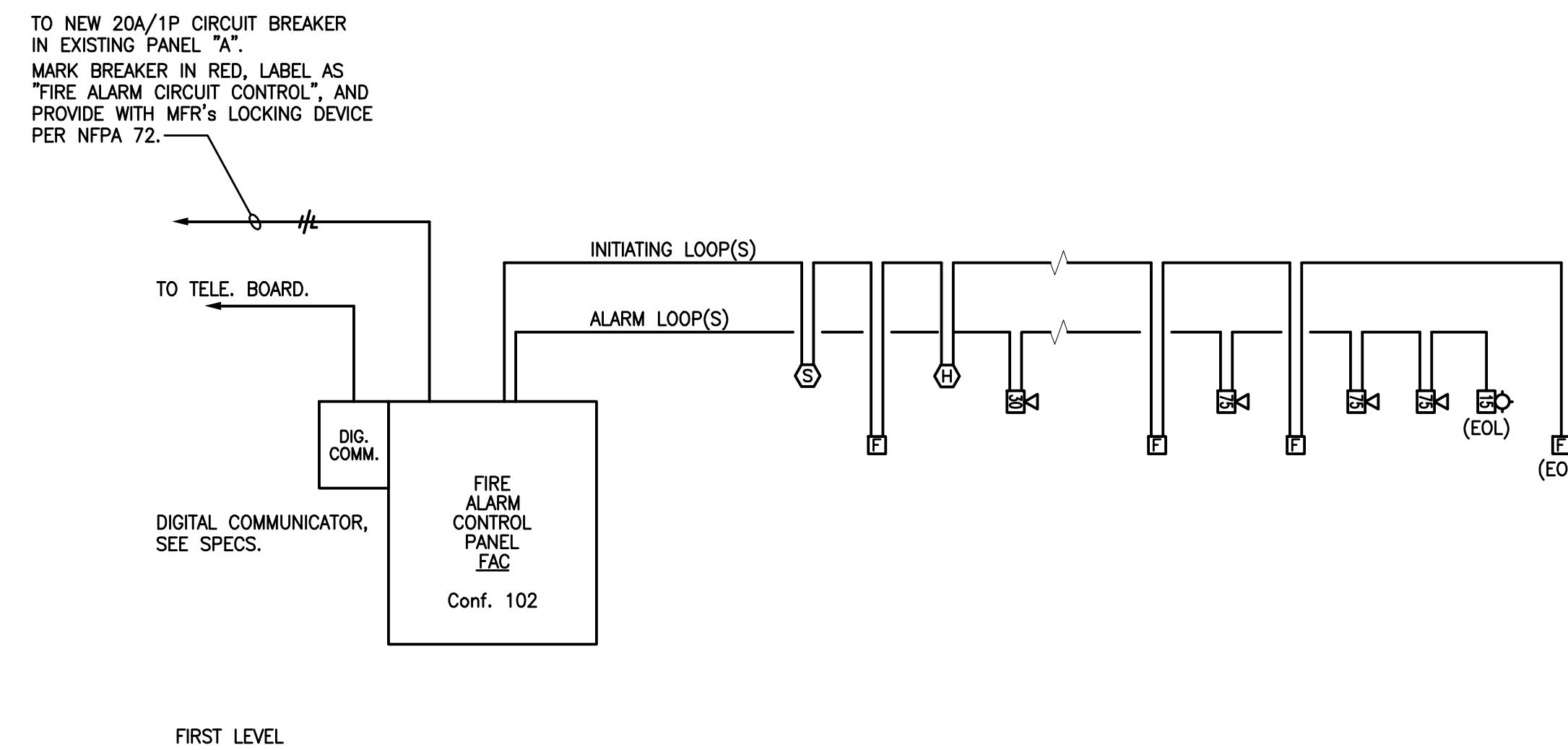
	FIRE ALARM CONTROL PANEL OR REMOTE ANNUNCIATOR.
	FIRE ALARM MANUAL PULL STATION. 48" AFF.
	FIRE ALARM HORN AND FLASHING LIGHT, CANDELA RATING AS NOTED. MOUNT BETWEEN 80" AND 96" AFF PER NFPA 72 AND ADA REQ'TS. "F" DENOTES UNIT TO BE FLUSH MOUNTED IN EXISTING WALL. FISH WALL AS REQUIRE AND PROVIDE CUT-IN BOX. "S" DENOTES SURFACE MOUNT DEVICE. USE "FS" STYLE BOX, SIZE AS NEEDED, AND MOUNT EMT CONDUIT TO WALL.
	FIRE ALARM FLASHING LIGHT, CANDELA RATING AS NOTED. MOUNT BETWEEN 80" AND 96" AFF PER NFPA 72 AND ADA REQ'TS. "F" DENOTES UNIT TO BE FLUSH MOUNTED IN EXISTING WALL. FISH WALL AS REQUIRE AND PROVIDE CUT-IN BOX. "S" DENOTES SURFACE MOUNT DEVICE. USE "FS" STYLE BOX, SIZE AS NEEDED, AND MOUNT EMT CONDUIT TO WALL.
	SMOKE DETECTOR. CEILING MOUNTED, UNLESS NOTED.
	HEAT DETECTOR. CEILING MOUNTED, UNLESS NOTED.

DEMOLITION NOTES

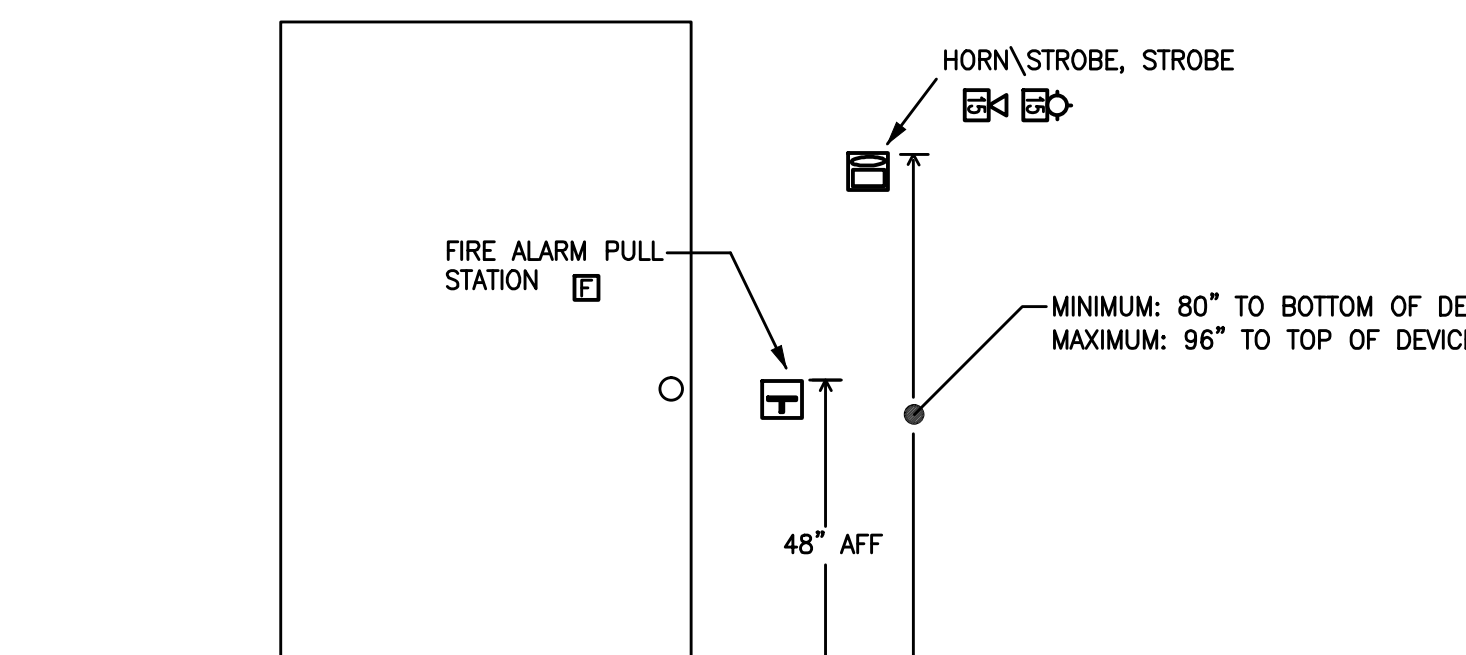
FD1. CONTRACTOR IS TO REMOVE EXISTING 120V STAND-ALONE DEVICES AND TURN OVER TO OWNER. IN ALL AREAS WHERE EXISTING FIRE ALARM DEVICES ARE BEING REMOVED, AND WHERE OTHER DEMOLITION WORK IS OCCURRING, REMOVE ALL EXISTING FIRE ALARM DEVICES AND OTHER RELATED EQUIPMENT NO LONGER IN USE, AND ALL WIRING AND CONDUIT NOT BEING REUSED.



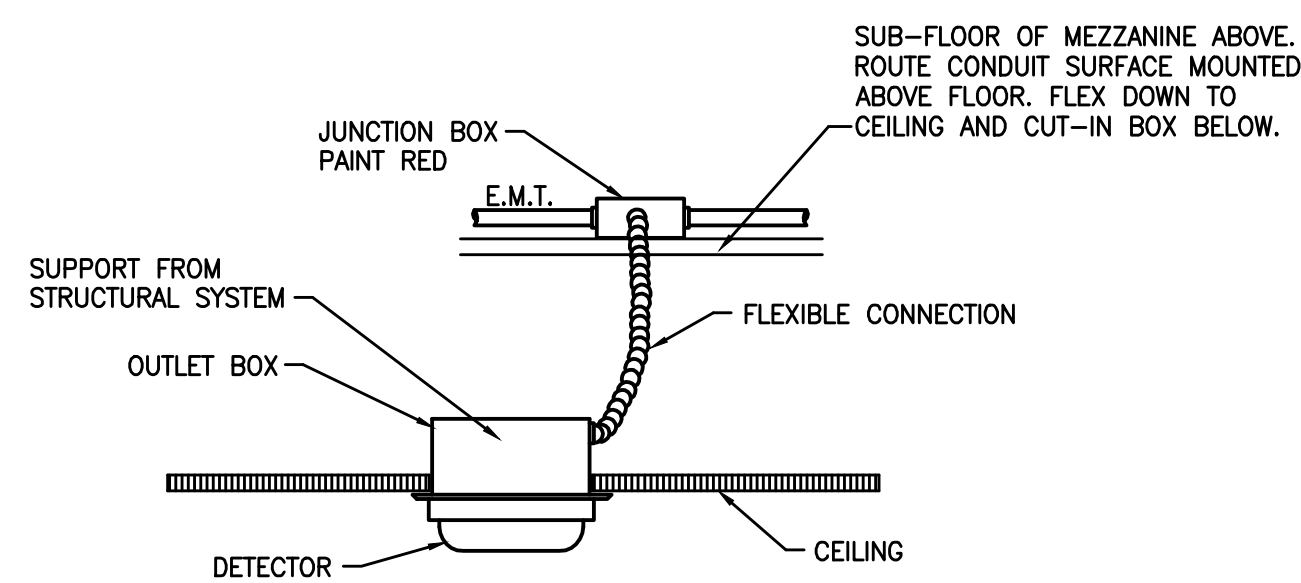
FIRE ALARM PLAN
SCALE: 1/8" = 1'-0"



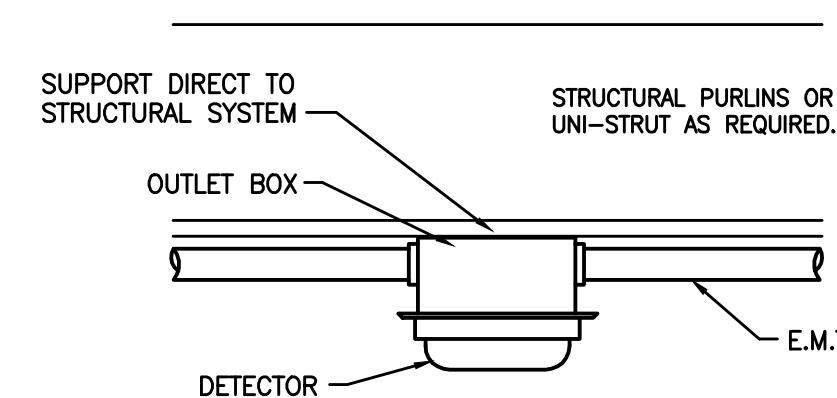
PARTIAL FIRE ALARM RISER DIAGRAM
NOT TO SCALE



DEVICE MOUNTING HEIGHT
NOT TO SCALE



DETECTOR RECESSED DETAIL
NOT TO SCALE



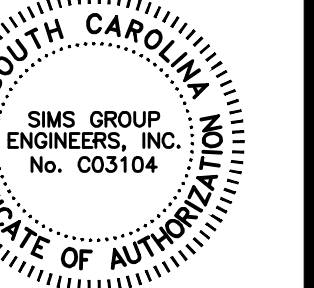
DETECTOR SURFACE DETAIL
NOT TO SCALE

USC PROJECT NO.: CP00341990/FM00388049

NO.	REVISION	DATE	BY

sims group
SIMS GROUP ENGINEERS, INC.
800 Columiana Drive, Suite 208
Irmo, South Carolina 29063
Phone: (803) 765-1007 Fax: (803) 765-1030
www.simsgrrouponline.com

BID SET



4/9/2012

USC UPSTATE FIRE ALARM INSTALLATION
CAMPUS LANDSCAPE FACILITY
SPARTANBURG, SOUTH CAROLINA

FIRE ALARM PLAN, SYMBOLS, AND SCHEDULES

DRAWN	BB
CHECKED	BB
JOB No.	C12021
DATE	APRIL 2012

E101

DRAWING No. OF